



ARA[®]

EFFICIENT LED FLOODLIGHT



EASY | LED

ARA[®]

Easy LED ARA[®] is a cost-effective and luminous alternative for traditional metal halide lights. The ARA[®] is built in a robust die-cast aluminium housing and the sturdy handle makes installation and aiming of the floodlight easy.

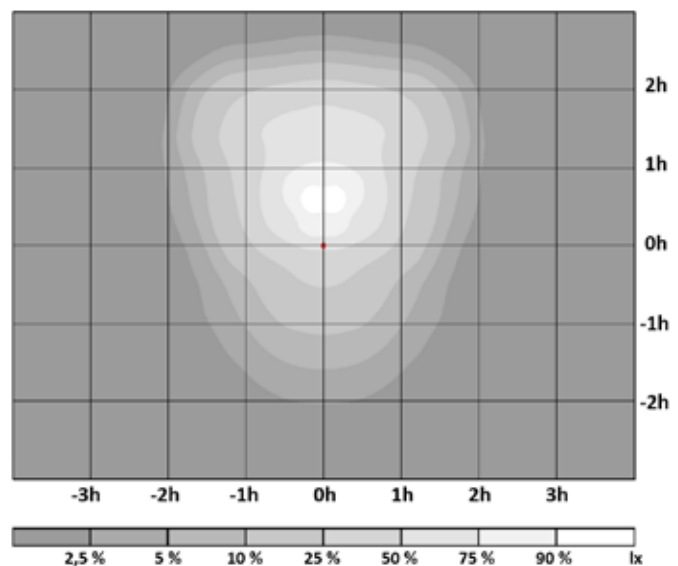
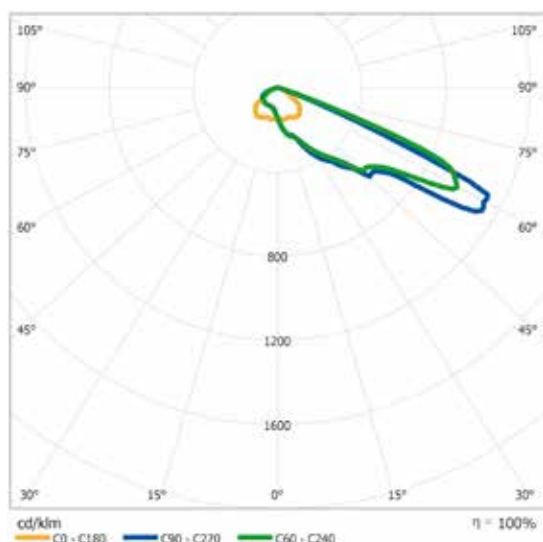


EASY LED ARA[®] :

- Cost-effective replacement for traditional high power metal halide floodlights
- Robust die-cast housing for demanding conditions
- Installation handle for mounting and aiming of the floodlight
- Extremely efficient for area lighting – sports arenas, parking lots, industrial areas
- Same high quality as BUBO light family
- Made in Finland

ARA[®] FLOODLIGHT OPTICS

UP-F



ARA® 90-1050 DALI UP-F 740

Housing:

Die-cast aluminium chassis with blasted, textured body.

Optics:

Flood light optics UP-F. Easy LED optimized UV-stabilized PC optics with high impact resistance

Protection range: IP66, IK08

Temperature range:

Designed for operating temperatures of up to +40°C
Outdoors / +35°C Indoors (95 % RH)

Automatic thermal protection:

Inbuilt reversible thermal protection with output current dimming.

LED unit lumen maintenance L90B10, C10: 70 000 h

LED unit lumen maintenance L85B10, C10: >100 000 h

Residual luminous flux after 100 000 h: 0,87

Control: Integrated DALI. CLO, MainsDIM and Kaamos available

Connection:

Preassembled rubber cable. Serial installation possible.

Safety light: 186-250 VDC at 10...60 % power level

Input voltage: 230 VAC (operation voltage range 202...254 VAC)

Input frequency: 50...60 Hz

Power Factor (PF) typical: > 0,95

Surge protection: 10 kV L-GND, N-GND (EN 61547), 6 kV L-N (EN 61000-4-5)

Luminaire protection class: CL I

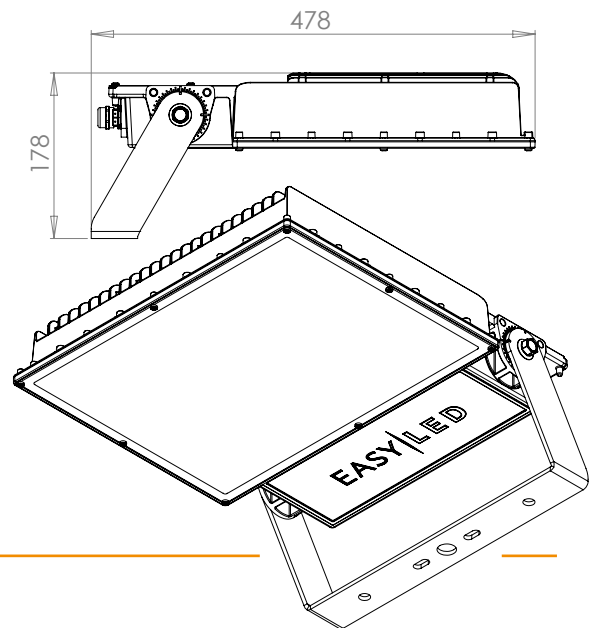
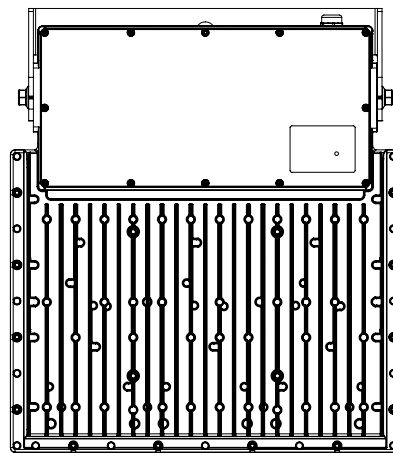
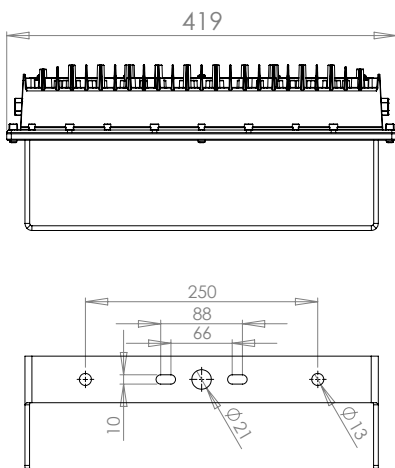
Installation direction:

No limits. (Not to be installed inside insulation to enable cooling)

Luminaire luminous efficacy: 110 lm/W

Light efficacy: CRI>70; 4000 K

ARA® DIMENSIONS



LEDs: 90

Weight: 10,4 kg

Recommended install height: 6-30 m

Delivery: Fully assembled

Dali addresses: 1

Temperature range: -40°C ...+40°C (95 % RH) outdoors
-40°C ...+35°C (95 % RH) indoors

Maintenance free operating life: >100 kh

Driving current: 1050 mA

System power: 280 W

Current: 1,3 A

Luminous Flux*: 30 800 lm

Luminaire dimming range: 12-100%

Values shown are nominal values and are subject to +/- 10 % tolerance.

*Luminous flux for 740, dependent on choice of optical solution. For latest values, ask for light distribution files.

ARA® CIRCUIT BREAKER DESIGN CHART

| ARA® 90-1050 | 1050 mA | 280 W | 1,3 A | Number of luminaires per circuit breaker | | | |
|----------------------------------|---------|-------|-------|--|-------|-------|-------|
| | | | | B10 A | B16 A | C10 A | C16 A |
| | | | | 3 | 7 | 7 | 11 |
| Inrush current peak | | | | Earth leakage current | | | |
| 13 A, t = 1320µs (50 % of Ipeak) | | | | 0,18 mA | | | |



ARA[®]

EFFICIENT LED FLOODLIGHT

EASY LED – THE BRIGHT CHOICE

Investing in high quality LED lighting today will pay off far into the future. Easy LED Oy is a Finnish company specialised in manufacturing of energy efficient LED lighting systems for different environments, such as sports arenas, industrial premises, roads and areas as well as retail and office spaces.



**EASY
LED**

Easy LED Oy
Meriniitynkatu 11
FI-24100 Salo, FINLAND
tel. +358 2 737 44 20

easyled.fi

