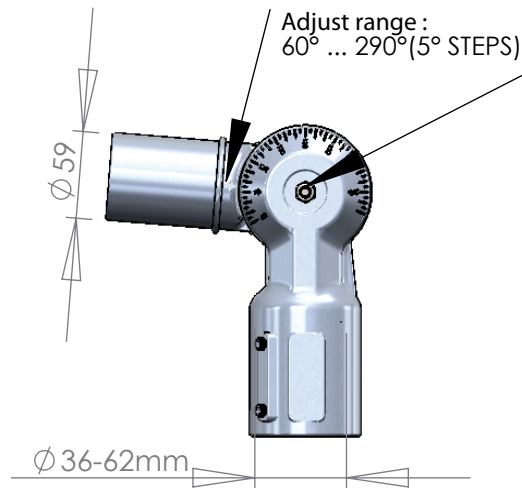


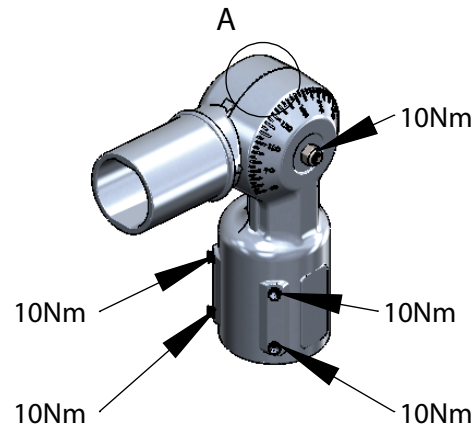
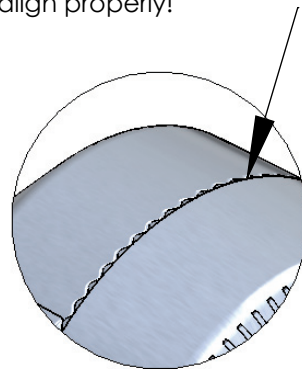
ADJUSTABLE CORNER ADAPTER



ANGLE ADJUSTING

1. Open M8 nut to release adjustment
2. As correct angle is selected tighten Nut to 10Nm

WHEN LOCKING ADJUSTMENT:
Make sure that locking teeth align properly!



MAX luminaire weight: 15Kg

