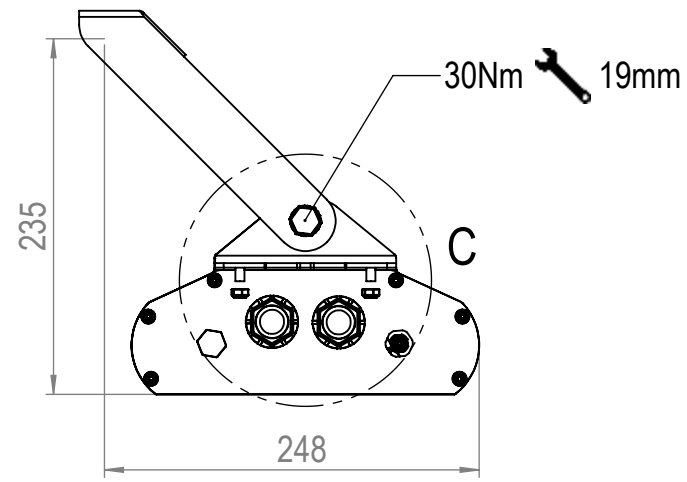
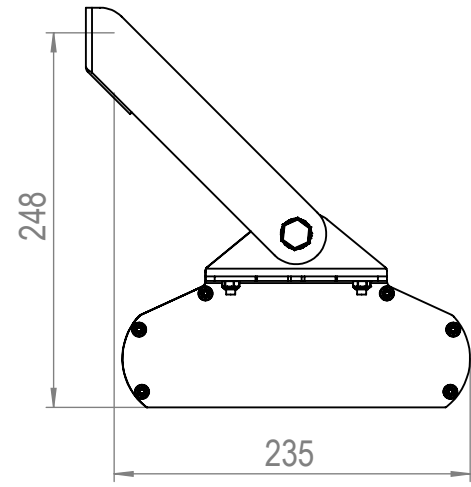
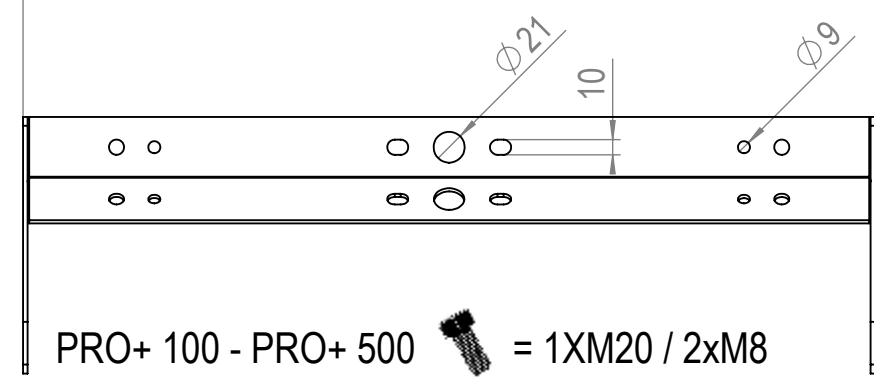


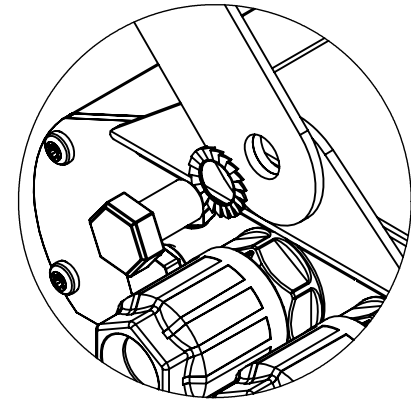
PRO+ 100 - PRO+ 6X



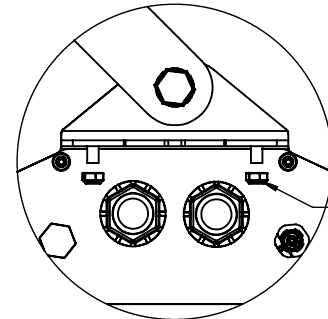
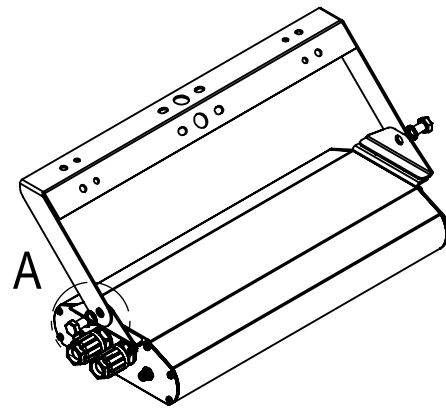
PRO100(189mm) / PRO200(314mm) / PRO400(439mm) / PRO500(564mm)



PRO+ 100 - PRO+ 500 = 1xM20 / 2xM8

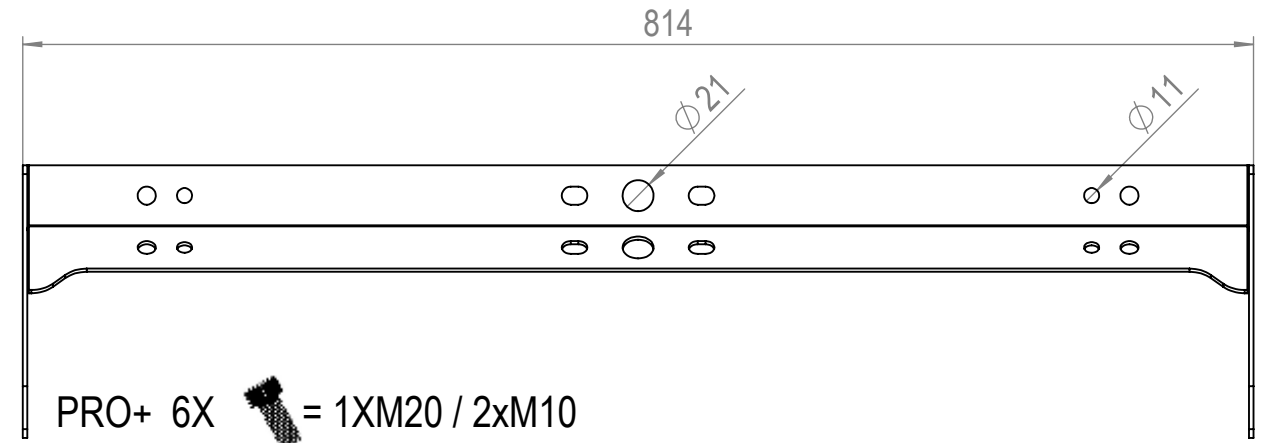


A (1:2)



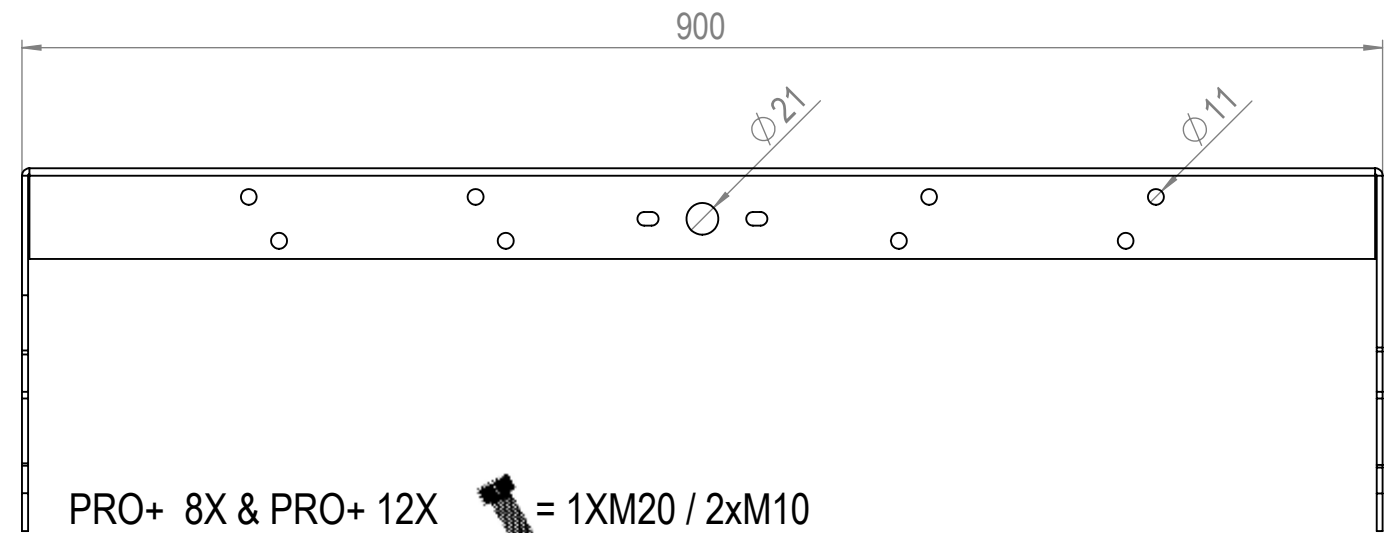
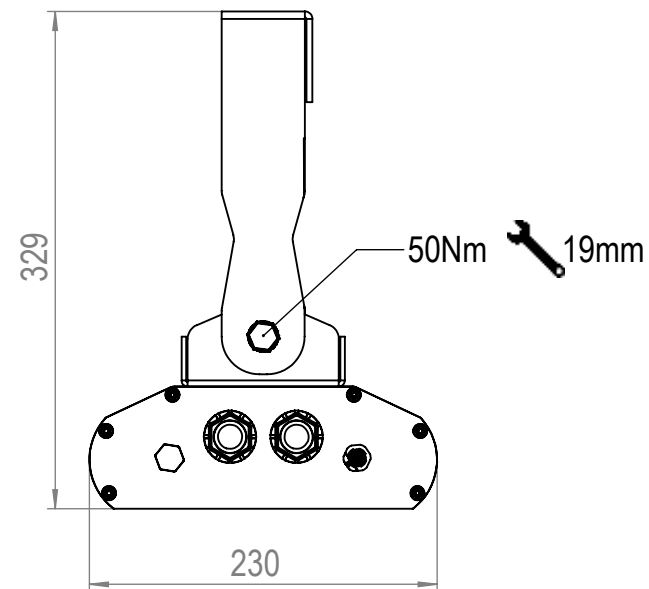
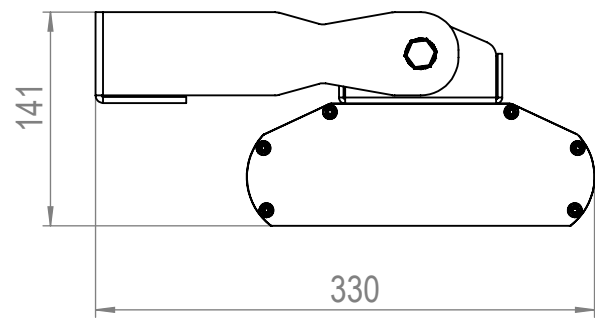
C (1:4)

10Nm 10mm

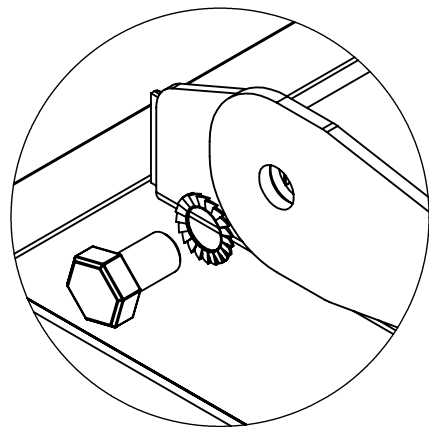


PRO+ 6X = 1xM20 / 2xM10

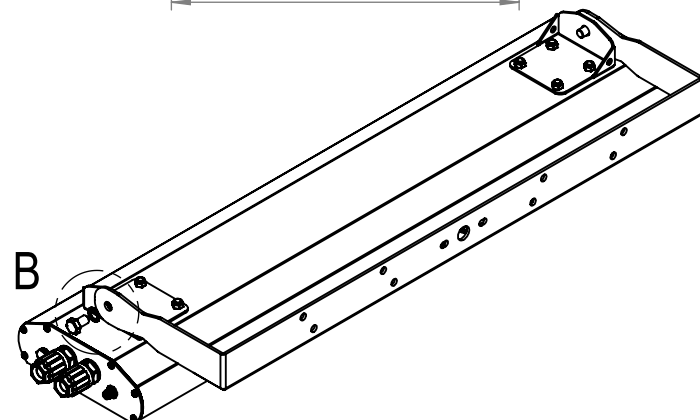
PRO+ 8X - PRO+ 12X



PRO+ 8X & PRO+ 12X = 1xM20 / 2xM10



B (1:2)



Raaka-aine Raw material	RST 316	Aihion koko Billet size	Pintakäsittely Finishing	Koko Size	A3
		Yleistoleranssit Tolerance		Mittakaava Scale	Suunn. Designed
				1:5	Yritys Company
Nimitys Title	Easy LED PRO+ Series Bracket mounting information			Päivityksen numero Drawing number	Yritys Company
				9.2.2018	15.18.47
				Revisio Revision	Sivu Sheet
					1 / 1