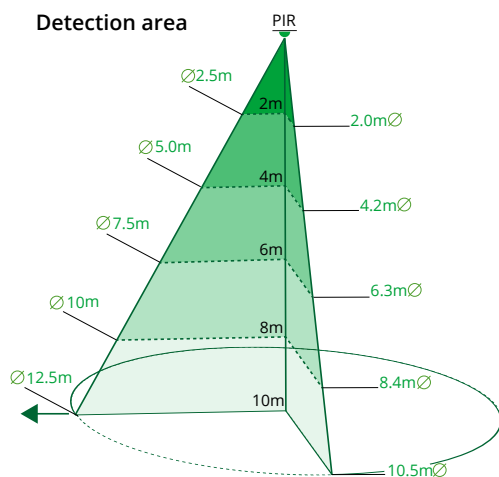


Easy PIR-96

Easy PIR-96
Helps keep your lights
on the right level at all times



The Easy PIR-96 keeps an eye on the surroundings. The device softly tunes the lights fully on when motion is detected in the controlled area and dims them down smoothly to a desired level when there is no movement. The Easy PIR-96 is especially designed for use in service stations.

Easy PIR-96 is a compact and easy-to-install motion detector device that provides energy-saving functions when used and connected directly to Easy LED luminaire's 1-10 V control line.

Connection	M12
Supply input	10-30 VDC (Preferred to use Easy LED luminaire's internal PIR powering)
Power consumption	1 W
Material	Non-flammable and non-toxic plastics (POM ja PA)
Colour	Black
Weight	33 g
IP rating	IP 65

Operation conditions

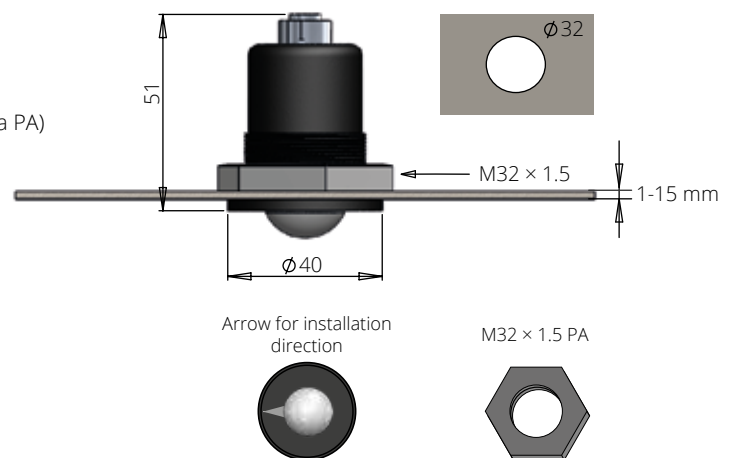
Ambient temperature	-20°C to +50°C
Relative humidity	98 % (non-condensing)
Storage temperature	-30°C to +85°C

Standards

EMC: 2004/108/EEC • LVD: 2006/95/EEC
Environment: Complies with WEEE ja RoHS directives

Compatible with these Easy LED luminaires

PRO Series, PRO Wave, Silence



Easy LED 
easyled.fi