



UNDERPASSES • CANOPIES

# PRO+ Via

The new Easy LED PRO+ Via further improves the safety of underpasses. The improved luminaire is available as recessed (PRO+ Via U) and surface installed (PRO+ Via P) models.

## PRO+ Via lights underpasses and tunnels

PRO+ Via is an energy efficient, bright and robust luminaire for underpasses and canopies. The surface mounted model is easy to install afterwards to upgrade the lighting when needed.

The uniform and non-glare light is compatible with other street lighting, so the eyes don't need to adjust to light shifts, which improves safety of both pedestrians and cyclist.

The luminaires are manufactured from aluminium or steel and impact resistant polycarbonate, depending on the model. They are anti-graffiti coated and designed to withstand vandalism.



# PRO+ Via

**Housing:** PRO+ Via U: Luminaire: anodized aluminium, interchangeable cover: anti-graffiti coated polycarbonate, mounting collar (available in two different sizes): aluminium.  
 PRO+ Via P: Luminaire: anodized aluminium, interchangeable cover: anti-graffiti coated polycarbonate, casing: stainless steel.

<b>Optics:</b>	Optimized, shockproof and UV protected Easy LED polycarbonate optics, several light distribution options available.
<b>Protection rating:</b>	IK10, led module IP66
<b>Thermal protection:</b>	Inbuilt reversible thermal protection with output current dimming
<b>Light unit lumen maintenance, L90B10, C10:</b>	>200 000 h
<b>Remaining luminous flux after 100 000 h:</b>	>0,90
<b>Control:</b>	Integrated DALI. CLO, MainsDIM and Kaamos available
<b>Connection:</b>	Preassembled 1,5m rubber cable
<b>Input voltage:</b>	230 VAC (operation voltage range 170...264 VAC)
<b>Input frequency:</b>	50...60 Hz
<b>Power factor (PF) typical:</b>	15W and 23W > 0,95 30W and 41W > 0,9
<b>Surge protection:</b>	10 kV L-GND, N-GND (EN 61000-4-5), 6 kV L-N (EN 61547)
<b>Luminaire protection class:</b>	CL I
<b>Luminaire luminous efficacy:</b>	Up to 125 lm/W



## PRO+ Via U

<b>Colour:</b>	RAL9006. Also available in other RAL colors			
<b>LEDs:</b>	22			
<b>Weight:</b>	4,0 kg			
<b>DALI addresses:</b>	1			
<b>Temperature range (95% RH):</b>	<b>15 W</b> -40°C ... +50°C	<b>23 W</b> -40°C ... +50°C	<b>30 W</b> -40°C ... +45°C	<b>41 W</b> -40°C ... +40°C
<b>Maintenance free operating life</b>	>100kh at +25°C	>100kh at +25°C	>100kh at +25°C	>100kh at +25°C

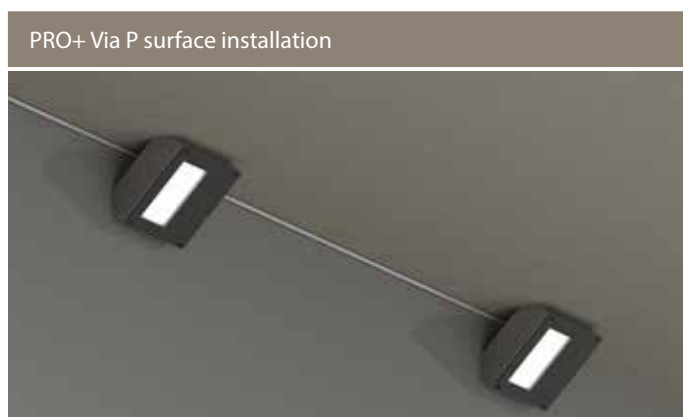
### System power [W]:

<b>Current [A]:</b>	0,08 A	0,11 A	0,14 A	0,19 A
<b>PRO+ Via U Luminous Flux [lm]*:</b>	1790 lm	2850 lm	3690 lm	4820 lm
<b>PRO+ Via P Luminous Flux [lm]*:</b>	1790 lm	2820 lm	3610 lm	4660 lm

### Luminaire linear dimming range:

<b>Light minimum level</b>	34 %	22 %	17 %	13 %
<b>Power minimum level</b>	7,2 W			

\*Luminous flux for 740, dependent on choice of optical solution. For latest values, ask for light distribution files.



## PRO+ Via P

<b>Colour:</b>	Stainless steel. Available in RAL colors			
<b>LEDs:</b>	22			
<b>Weight:</b>	4,1 kg			
<b>DALI addresses:</b>	1			
<b>Temperature range (95% RH):</b>	<b>15 W</b> -40°C ... +40°C	<b>23 W</b> -40°C ... +35°C	<b>30 W</b> -40°C ... +30°C	<b>41 W</b> -40°C ... +25°C
<b>Maintenance free operating life</b>	>100kh at +25°C	>100kh at +25°C	>75kh at +25°C	>50kh at +25°C

<b>System power [W]:</b>	<b>15 W</b>	<b>23 W</b>	<b>30 W</b>	<b>41 W</b>
<b>Current [A]:</b>	0,08 A	0,11 A	0,14 A	0,19 A
<b>PRO+ Via U Luminous Flux [lm]*:</b>	1790 lm	2850 lm	3690 lm	4820 lm
<b>PRO+ Via P Luminous Flux [lm]*:</b>	1790 lm	2820 lm	3610 lm	4660 lm

<b>Luminaire linear dimming range:</b>	34 %	22 %	17 %	13 %
<b>Power minimum level</b>	7,2 W			

# PRO+ Via

## PRO+ Via circuit breaker design chart

		Number of luminaires per circuit breaker			
		B10 A	B16 A	C10 A	C16 A
15 W	0,08 A	7	12	10	18
23 W	0,11 A				
30 W	0,14 A				
41 W	0,19 A				

### Inrush current peak:

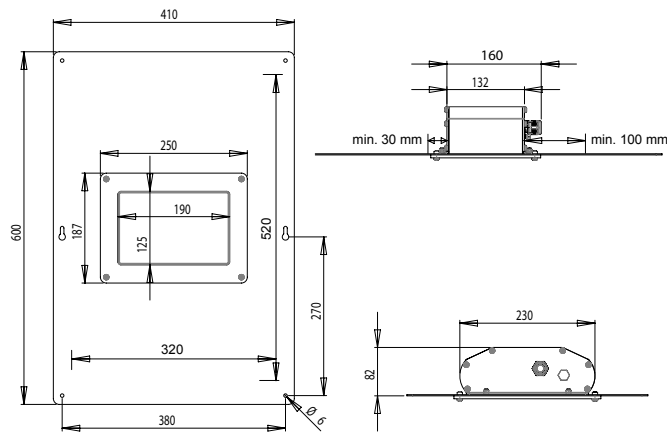
53A, t = 200µs (50 % I<sub>peak</sub>)

### Earth leakage current:

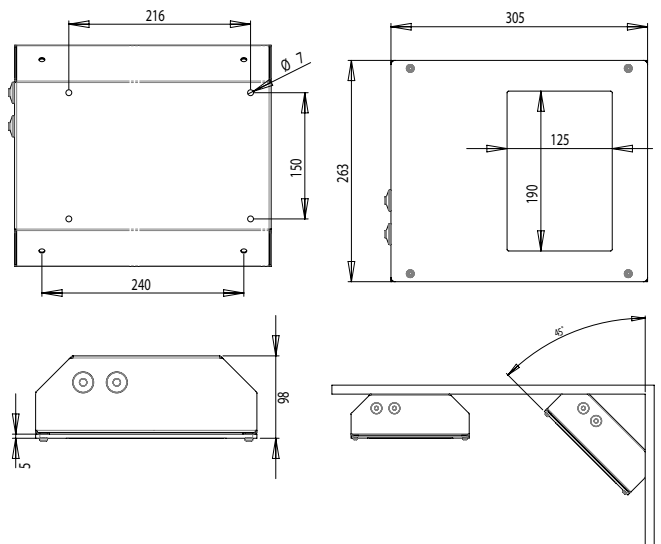
0,13 mA



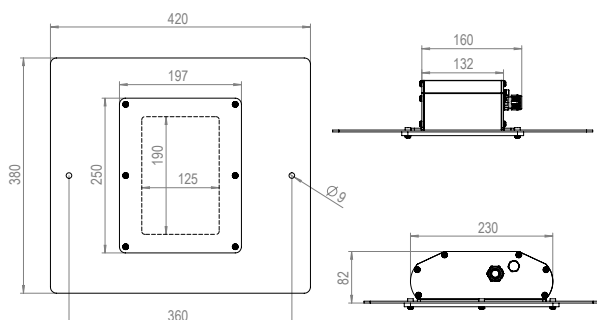
### PRO+ Via U recessed installation



### PRO+ Via P surface installation



### PRO+ Via Us recessed installation (smaller mounting collar)



# EASY | LED

## EASY LED – THE BRIGHTEST CHOICE

Investing in high quality LED lighting will give you value for now and far in the future. Easy LED Oy is a Finnish company specialized in manufacturing energy efficient LED-lighting for sports, industry, road, area, commercial, retail and office space lighting purposes.

Easy LED Oy  
Meriniitynkatu 11  
24100 Salo - Finland  
p. +358 2 737 44 20  
[www.easyled.fi](http://www.easyled.fi)

