

S P E C I F I C A T I O N S

# PRO WAVE<sup>®</sup>

ROAD AND AREA LIGHTING



EASY | LED



# PRO Wave -technical information

Housing	Die casted/extruded aluminum with powder coating in White aluminum (RAL9006). Other RAL colors available, ceramic coating for entire luminaire available for even improved wear resistance
Optics	Easy LED optimized UV-stabilized PC optics with high impact resistance
Protection rating	IP66, IK09
Temperature range	Designed for operating temperatures of up to +50°C (95 % RH)
Automatic thermal protection	Built-in
LED unit lumen maintenance L90B10, C10	200 000 h
Remaining luminous flux after 100 000 h	0,95
Control	Integrated DALI. In addition a wide range of intelligent lighting controls and CLO available.
Input voltage	230 VAC (operation voltage range 170-264 VAC for PRO Wave) (operation voltage range 198-264 VAC for PRO Wave+)
Input frequency	50/60 Hz
Power Factor (PF) typical	> 0,95 (PRO Wave 30 <24W: >0,9)
Luminaire protection class	CL I
Installation	Pole thickness $\varnothing$ 34 - 60 mm. Pre-assembled installation cable and alternative fittings available
Standard light color quality	4000 K, CRI 72
Luminaire luminous efficacy	Up to 142 lm/W

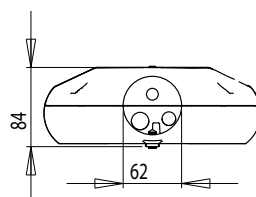
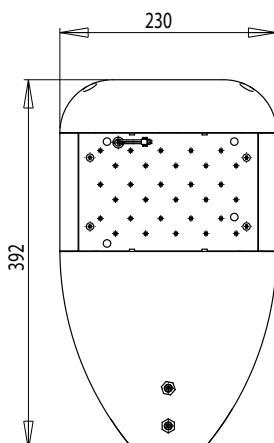


# PRO Wave<sup>®</sup> 30

LEDs	22
Weight	4,6 kg
Dimensions (L x W x H)	392 x 230 x 81 mm
Delivery	Fully assembled
Suggested install height	3 - 8 m
Dali addresses	1
Temperature range	200mA, 330mA & 440mA: -40°C ...+50°C or 600mA: -40°C ...+40°C (95 % RH)
Maintenance free operating life	200mA: >100kh at +25°C, 95kh at +50°C 330mA: >100kh at +25°C, 95kh at +45°C, 70kh at +50°C 440mA: >100kh at +25°C, 95kh at +40°C, 50kh at +50°C 600mA: >100kh at +25°C, 95kh at +30°C, 50kh at +40°C
Surge protection	10 kV L-GND, N-GND (EN 61000-4-5), 6 kV L-N (EN 61547)

Driving current	200mA	330mA	440mA	600mA
System power	15 W	23 W	30 W	41 W
Current	0,08 A	0,11 A	0,14 A	0,19 A
Luminous Flux*	1 880 lm	2 940 lm	3 710 lm	4 690 lm
Luminaire dimming range				
Maximum dimming down to	36 %	23 %	18 %	14 %
Power minimum level	7,2 W	7,2 W	7,2 W	7,2 W

\*Nominal values for 4000 K, dependent on choice of optical solution and are subject to +/- 10 % tolerance. For latest values, ask for light distribution files.



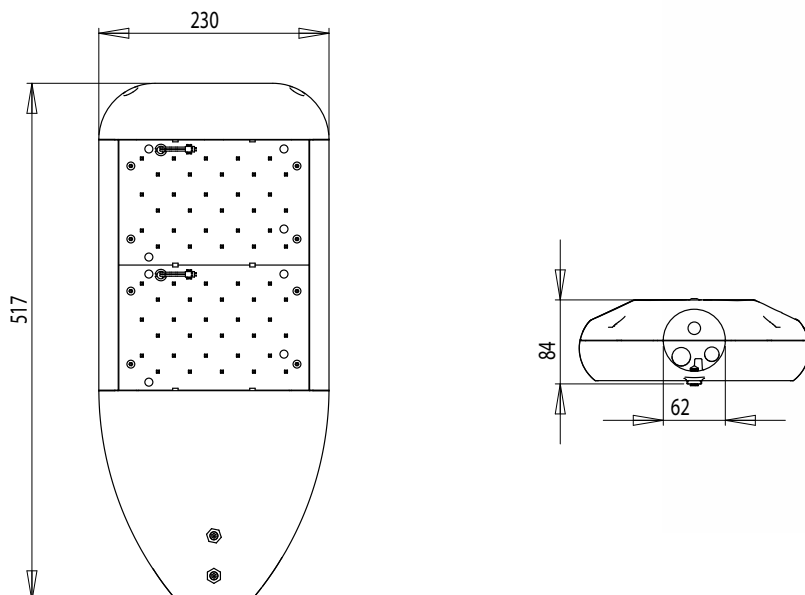
# PRO Wave<sup>®</sup> 60

5

LEDs	44
Weight	5,9 kg
Dimensions (L x W x H)	517 x 230 x 81 mm
Delivery	Fully assembled
Suggested install height	4 - 10 m
Dali addresses	1
Temperature range	380mA: -40°C ...+50°C or 460mA: -40°C ...+45°C (95 % RH)
Maintenance free operating life	380mA: >100kh at +25°C, 100kh at +35°C, 50kh at +50°C 460mA: >100kh at +25°C, 100kh at +35°C, 50kh at +45°C
Surge protection	10 kV L-GND, N-GND (EN 61000-4-5), 6 kV L-N (EN 61547)

Driving current	380mA	460mA
System power	50 W	60 W
Current	0,24 A	0,28 A
Luminous Flux*	6 520 lm	7 620 lm
Luminaire dimming range		
Maximum dimming down to	19 %	16 %
Power minimum level	12,7 W	12,7 W

\*Nominal values for 4000 K, dependent on choice of optical solution and are subject to +/- 10 % tolerance. For latest values, ask for light distribution files.



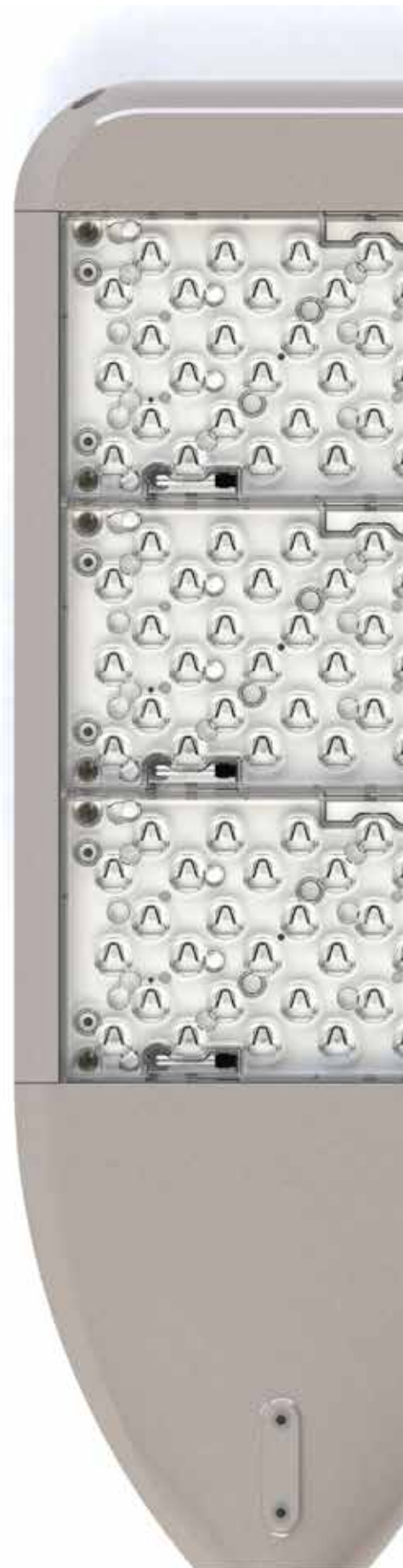
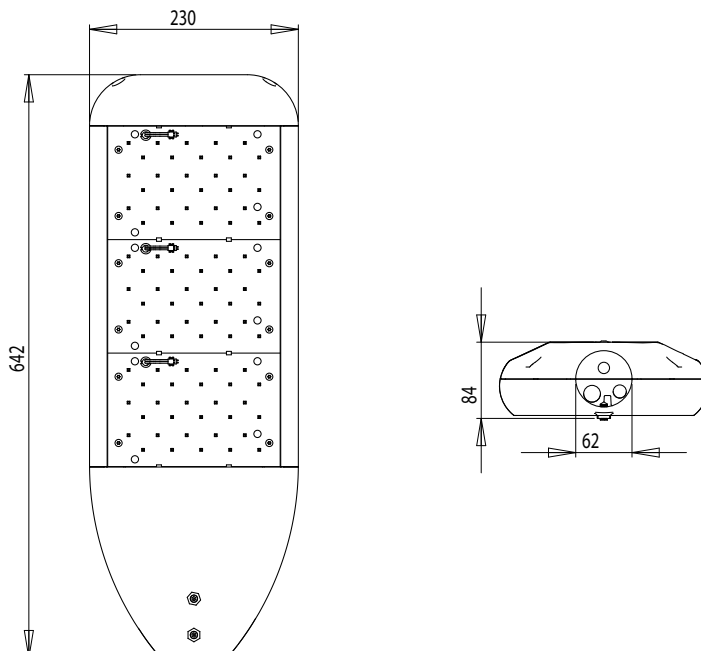
# PRO Wave<sup>®</sup> 90

LEDs	66
Weight	7,6 kg
Dimensions (L x W x H)	642 x 230 x 81 mm
Delivery	Fully assembled
Suggested install height	6 - 12 m
Dali addresses	1
Temperature range	380mA: -40°C ...+50°C or 460mA: -40°C ...+45°C (95 % RH)
Maintenance free operating life	380mA: >100kh at +25°C, 100kh at +35°C, 50kh at +50°C 460mA: >100kh at +25°C, 100kh at +30°C, 50kh at +45°C
Surge protection	10 kV L-GND, N-GND (EN 61000-4-5), 6 kV L-N (EN 61547)

Driving current	380mA	460mA
System power	75 W	90 W
Current	0,35 A	0,41 A
Luminous Flux*	10 200 lm	11 890 lm

Luminaire dimming range		
Maximum dimming down to	19 %	16 %
Power minimum level	16,3 W	16,3 W

\*Nominal values for 4000 K, dependent on choice of optical solution and are subject to +/- 10 % tolerance. For latest values, ask for light distribution files.



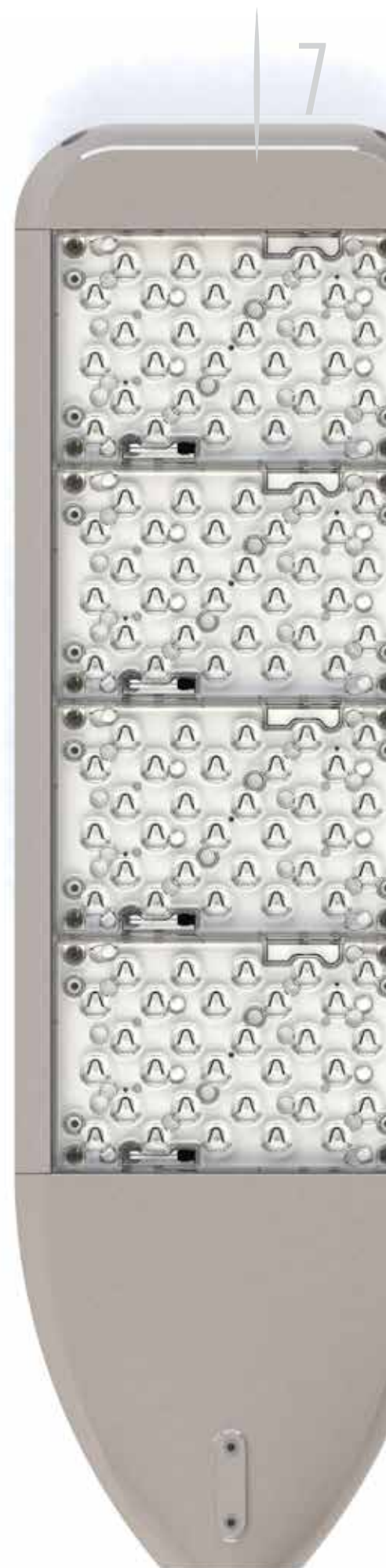
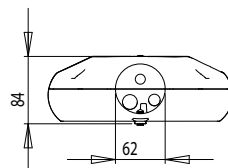
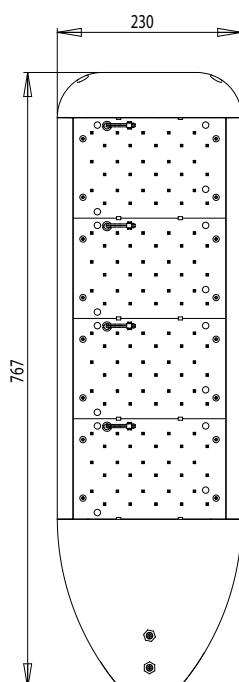
# PRO Wave<sup>®</sup> 120

LEDs	88
Weight	8,6 kg
Dimensions (L x W x H)	767 x 230 x 81 mm
Delivery	Fully assembled
Suggested install height	8 - 15 m
Dali addresses	1
Temperature range	380mA: -40°C ...+45°C or 460mA: -40°C ...+35°C (95 % RH)
Maintenance free operating life	380mA: >100kh at +25°C, 100kh at +30°C, 50kh at +45°C 460mA: >100kh at +20°C, 85kh at +25°C, 50kh at +35°C
Surge protection	10 kV L-GND, N-GND (EN 61000-4-5), 6 kV L-N (EN 61547)

	380mA	460mA
Driving current	380mA	460mA
System power	99 W	120 W
Current	0,45 A	0,54 A
Luminous Flux*	13 220 lm	15 390 lm

Luminaire dimming range		
Maximum dimming down to	19 %	16 %
Power minimum level	21,6 W	21,6 W

\*Nominal values for 4000 K, dependent on choice of optical solution and are subject to +/- 10 % tolerance. For latest values, ask for light distribution files.



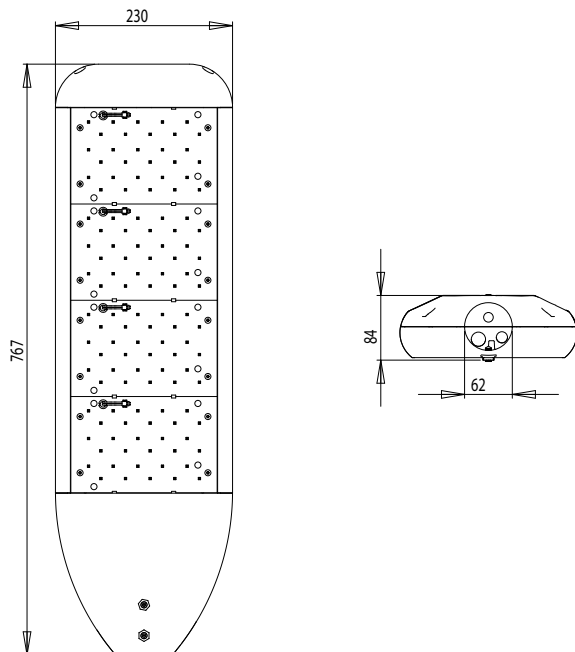
# PRO Wave+ 120

LEDs	120
Weight	8,2 kg
Dimensions (L x W x H)	767 x 230 x 81 mm
Delivery	Fully assembled
Suggested install height	8 - 20 m
Dali addresses	1 (1 - 10 available)
Temperature range	290mA: -40°C ... +50°C with thermal protection activation at +55°C or 350mA: -40°C ... +45°C with thermal protection activation at +50°C or 420mA: -40°C ... +40°C with thermal protection activation at +45°C (95% RH)
Maintenance free operating life	290mA: >100kh at +25°C, 100kh at +40°C, 50kh at +50°C 350mA: >100kh at +25°C, 100kh at +35°C, 50kh at +45°C 420mA: >100kh at +25°C, 100kh at +30°C, 50kh at +40°C
Surge protection	6 kV L-GND / N-GND, 4 kV L-N

Driving current	290mA	350mA	420mA
System power	99 W	120 W	146 W
Current	0,45 A	0,55 A	0,67 A
Luminous Flux*	14 010 lm	16 340 lm	18 850 lm

Luminaire dimming range			
Maximum dimming down to	3 %	2 %	2 %
Power minimum level	4,4 W	4,4 W	4,4 W

\*Nominal values for 4000 K, dependent on choice of optical solution and are subject to +/- 10 % tolerance. For latest values, ask for light distribution files.





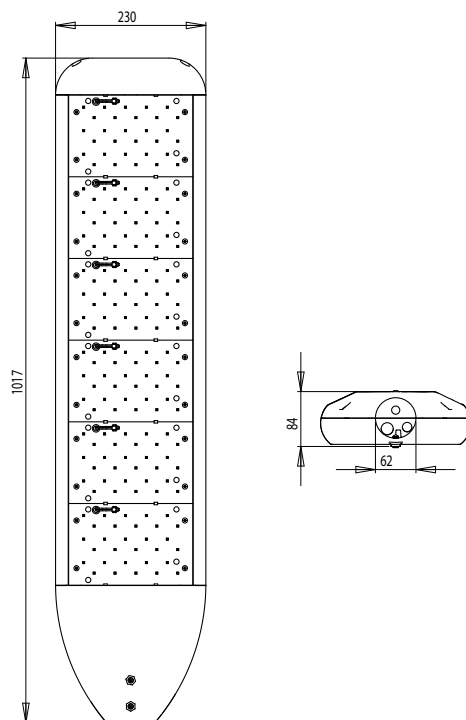
# PRO Wave+ 180

LEDs	180
Weight	10,4 kg
Dimensions (L x W x H)	1017 x 230 x 81 mm
Delivery	Fully assembled
Suggested install height	10-30 m
Dali addresses	1 (1 - 10 available)
Temperature range	290mA: -40°C ...+45°C with thermal protection activation at +50°C or 350mA: -40°C ...+40°C with thermal protection activation at +45°C or 420mA: -40°C ...+35°C with thermal protection activation at +40°C (95 % RH)
Maintenance free operating life	290mA: >100kh at +25°C, 100kh at +35°C, 50kh at +45°C 350mA: >100kh at +25°C, 100kh at +30°C, 50kh at +40°C 420mA: 100kh at +25°C, 50kh at +35°C
Surge protection	6 kV L-GND / N-GND, 4 kV L-N

Driving current	290mA	350mA	420mA
System power	149 W	180 W	218 W
Current	0,68 A	0,82 A	1,00 A
Luminous Flux*	20 990 lm	24 440 lm	28 030 lm

Luminaire dimming range			
Maximum dimming down to	3 %	2 %	2 %
Power minimum level	5,3 W	5,3 W	5,3 W

\*Nominal values for 4000 K, dependent on choice of optical solution and are subject to +/- 10 % tolerance. For latest values, ask for light distribution files.





## EASY LED – THE BRIGHT CHOICE

Investing in high quality led lighting is an investment that will pay off now and in the future. Easy LED Oy is a Finnish company specialized in energy efficient led lighting. We design and manufacture lighting systems for industry, traffic, commerce and sports in Salo, southwest Finland.

**EASY  
LED**

Easy LED Oy  
Meriniitynkatu 11  
24100 Salo - Finland  
p. 02 737 4420

[easyled.fi](http://easyled.fi)

